

LKEH



MP3 Voice Annunciator & LED Signal Tower



- LED**
- 32 Alarm Sounds**
- 105dB at 1m**
- IP53**
- (LED) Ø100**
- NPN Open-collector**

Get the attention you need with the PATLITE field-programmable LKEH Series Hybrid Signal Tower with audible alarm.

FEATURES

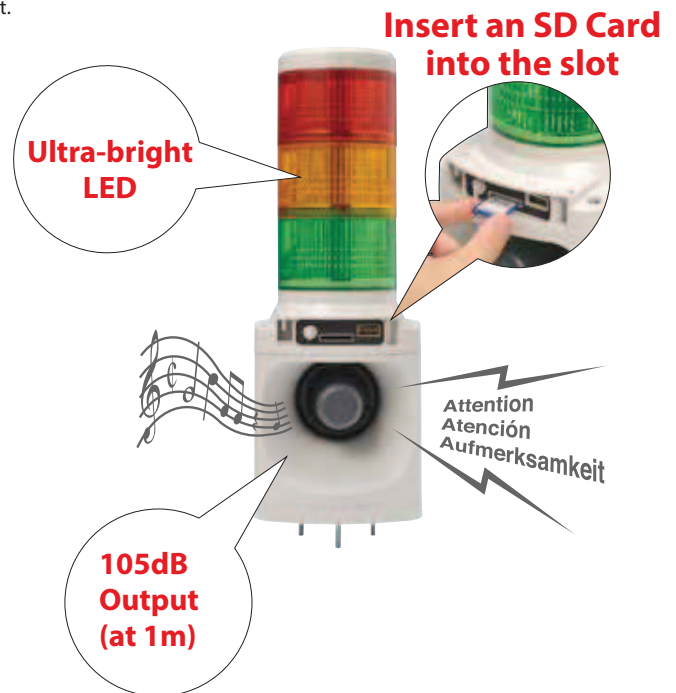
- The pre-recorded type offers 32 sounds in one unit with 8 bit input and 32 binary input channel capability.
- The message capacity for the LKEH-FV is 63 seconds (64kbit/s) with 5 bit input and 31 binary input channel capability.
- The LKEH-FV is field-programmable with an SD Card (sold separately).
- Visible from great distance with ultra-bright LEDs and 100 diameter lens.
- A 2G vibration resistant design allows safe use in a high-vibration environment.
- One common wire makes it easy to control both the audio and LED inputs.
- Volume is adjustable from 0 to 105dB (at 1m) to fit various environments.
- Compliance with the RoHS Directives makes it environmentally friendly.
- Complies with EU directives and includes the CE mark (for 24V type).

AVAILABLE BY SPECIAL ORDER

- PNP open collector transistor type.
- AC 120V type
- UL Listed (File No. E215660, for 24V type only).

How to Order

LKEH- <input type="checkbox"/> <input type="checkbox"/> F <input type="checkbox"/> <input type="checkbox"/> - <input type="checkbox"/>	Color
Model	R: Red
Tiers 1 - 4	Y: Amber
Rated Voltage	G: Green
02: DC 24V	B: Blue
10: AC 100V	C: Clear/White (Top to bottom)
12: AC 120V	UL Conformity
20: AC 220V	None: No Conformity
	UL: UL Standard (24Type Only)
	Sound Type
	V: Voice Synthesizer
	A: Type A
	C: Type C
	D: Type D
	E: Type E



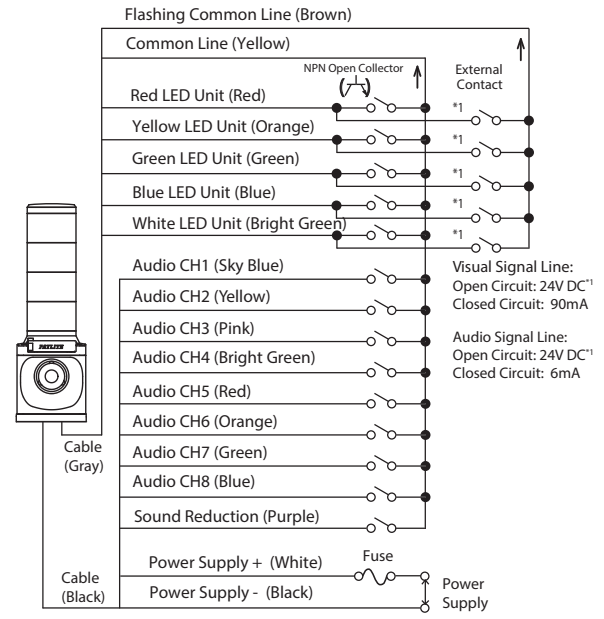
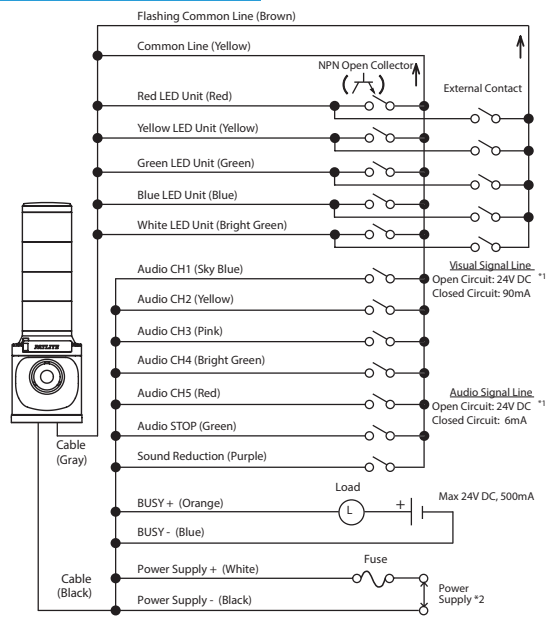
Use of Copyrighted Material

PATLITE Corporation has not applied for permission to use certain copyrighted music or songs recorded for Type-A, Type-C and Type-D melody charts outside of Japan. Therefore, please contact the local copyright association for permission before using the product in case this product is used outside of Japan. Melody chart Type-E is recommended for use outside of Japan as this playlist does not include copyrighted music or songs, and permission is not required.

Sound Charts

Refer to Page 201 for "Melody Charts".

Wiring



Options

Wall-mount Bracket SZ-023
 Bracket Material: Steel
 Cover Material: ABS Resin



Options

PATLITE Playlist Editor 2 (Free Download)

(OS: Windows® 2000/XP/Vista/Windows 7/Windows 8)

- > The new PATLITE Playlist Editor 2 is required to change the audio message data for this product.
- > The SD Card does not contain any data.

SD Card (2 GB) SDV-2GP

Specifications

Model	Rated Voltage	Operating Voltage Range	Number of Tiers	Power Consumption	Mass
LKEH- 102F	DC 24V	DC 24V ±10%	1	10.6W	1.4kg
LKEH- 202F			2	12.4W	1.6kg
LKEH- 302F			3	14.2W	1.8kg
LKEH- 402F			4	16.0W	2.0kg
LKEH- 110F	AC 100V	AC 100V ±10%	1	17.0W	2.1kg
LKEH- 210F			2	20.0W	2.3kg
LKEH- 310F			3	23.0W	2.5kg
LKEH- 410F			4	26.0W	2.7kg
LKEH- 112F	AC 120V	AC 120V ±10%	1	17.0W	2.1kg
LKEH- 212F			2	20.0W	2.3kg
LKEH- 312F			3	23.0W	2.5kg
LKEH- 412F			4	26.0W	2.7kg
LKEH- 120F	AC 220V	AC 220V ±10%	1	17.0W	2.1kg
LKEH- 220F			2	20.0W	2.3kg
LKEH- 320F			3	23.0W	2.5kg
LKEH- 420F			4	26.0W	2.7kg

Notes:

- The sound pressure level is based on measurements under controlled conditions (voice-synthesized 1 kHz sine wave played back from a distance of 1 meter), therefore the surrounding environmental conditions and message content will result in different values for the sound pressure level.
- Even when starting two or more units simultaneously, a lag will occur during message playback.
- MPEG Layer-3 audio coding technology licensed from Fraunhofer IIS and Thompson Licensing

Dimensions (Unit: mm)

